



FlexiShield® Food Shields

Glass Front, Double Tier with Two Glass Shelves, Single Service

Project _____

Item _____

Quantity _____

CSI Section 11400

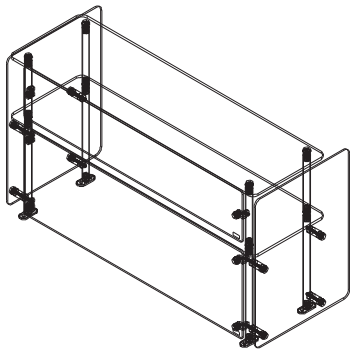
Approved _____

Date _____

FlexiShield® Food Shields: Glass Front, Double Tier with Two Glass Shelves, Single Service

Models

- DCFSG2 Available in 1" increments up to 120" long



DCFSG2

Standard Features

- Mostly glass display allows you to see product from every angle
- 1" stainless steel legs
- Meets 2011 NSF requirements
- Flange mounted foot makes installation easy
- Comes fully assembled from the factory
- Standard end glass
- One year parts and labor standard warranty

Options & Accessories

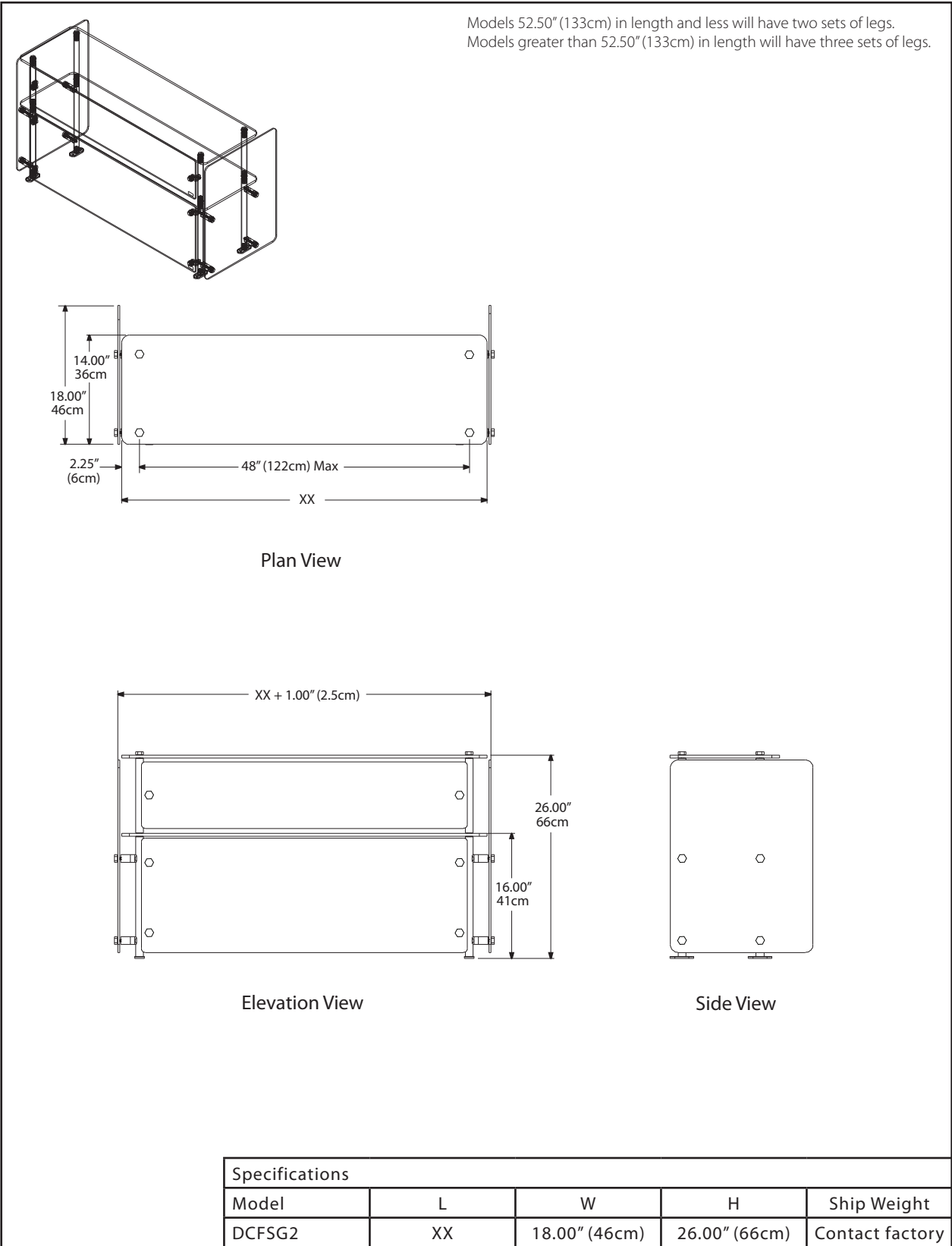
- Radiant heat lamp*
 - Slim line heat lamp*
 - Stainless steel shelf
 - Black powder coat
 - Fluorescent light*
 - LED lights*
 - Narrow halogen heatlamp*
 - Narrow halogen heatlamp with xenon lights*
 - Narrow xenon display lights*
- * Inclusion of this option will alter the electrical specifications of the unit

Specifications

1" stainless steel legs and flanged feet are standard. Models 52.50" (133cm) in length and less will have two sets of legs. Models greater than 52.50" (133cm) in length will have three sets of legs. Top glass is 3/8" tempered. End glass is 1/4" tempered. Front glass is 1/4" tempered. Chrome plated hardware standard.



Glass Front, Double Tier with Two Glass Shelves, Single Service



Delfield reserves the right to make changes to the design or specifications without prior notice.