

PROJECT	
ITEM #	
QUANTITY	DATE
APPROVAL	

# KCSC-EF

## Mobile Self-Contained LiquiTec™ Cold Pan Serving Counters

### Short Form Specifications

**Exterior Body** is seamless, one-piece molded fiberglass, having perfectly smooth exterior surface with all corners fully rounded. The fiberglass reinforced polyester (F.R.P.) is molded with permanent color. Stress points are internally reinforced.

**Exterior top** is constructed of 14-gauge stainless steel, welded, ground and polished into one integral unit.

**The LiquiTec cold pan** has 2-6 die stamped 19.87" x 11.87" (50.5cm x 30.2cm) openings with depressed edges. Formed well below each opening is 6.25" (15.9cm) deep with .5" drain manifold to gate valve. Each well, flush with the top, for flush mount pans to accommodate 12" x 20" (30.5cm x 50.8cm) pans 4" (7.6cm) or 6" (15.2cm) deep, supplied by others. Product temperatures of 33°F (1°C) to 41°F (5°C) are maintained at 86°F (30°C) ambient room temperature, meeting NSF7 requirements. The cold pan is separated from the exterior top by a thermal break. Copper refrigeration tubing is attached to the sides of every well. Eutectic fluid is used as the heat transfer medium. Cold pan is fully insulated with foamed in place polyurethane insulation.

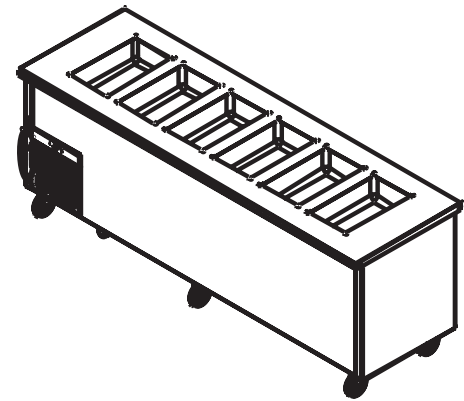
**Refrigeration system** uses HFC-404A refrigerant and has a self-contained 115 volt, 60 Hertz, single phase hermetically sealed condensing unit with adjustable cold pan pressure control. Unit is wired with a 3-wire, grounded, maximum 10' (3m) cord and plug. Unit has an on/off switch mounted on the exterior.

**Castors:** Unit is mounted on 5" (12.7cm) diameter swivel casters with non-marking polyolefin tires and plate brakes. Overall height of caster assembly is 6.00" (15.2cm).

### Optional Accessories and Modifications:

- A) 12" (30.5cm) wide stainless steel fold-down tray slide
- C) 10" (25.4cm) wide three-bar fold-down tray slide
- D) 10" (25.4cm) wide composite fold-down cutting board
- E) 10" (25.4cm) wide stainless steel fold-down work shelf
- F) Line-up interlock device
- G) Glass-front counter protector
- H) Two tier display with glass shelves and sneeze guards
- HD) Dual service two tier display with sneeze guards
- I) Three tier display with glass shelves and sneeze guards
- J) 12" (30.5cm) wide 18-gauge stainless steel overshelf
- KS) Single service flip-up sneeze guard
- KD) Double service flip-up sneeze guard
- L) \*Fluorescent light fixtures
- LI) \*Incandescent light fixtures
- P) Open understorage with shelf
- Q) \*120V/60Hz/1Ø, 10 amp convenience outlet with breaker
- U) 14" x 30" (35.6cm x 76.2cm) stainless steel end drop shelf
- UU) Molded fiberglass trim strips
- V) 6" (15.2cm) high adjustable stainless steel legs

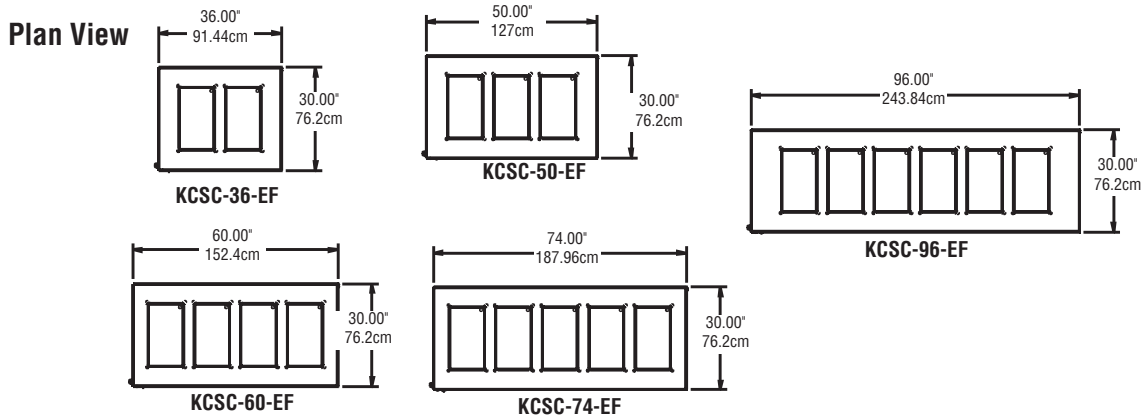
\*Inclusion of these options will alter the electrical specifications of unit.



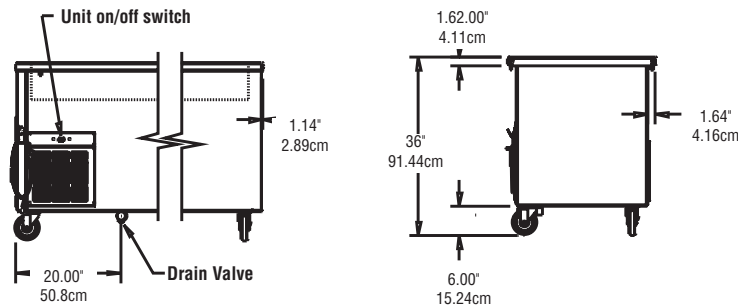
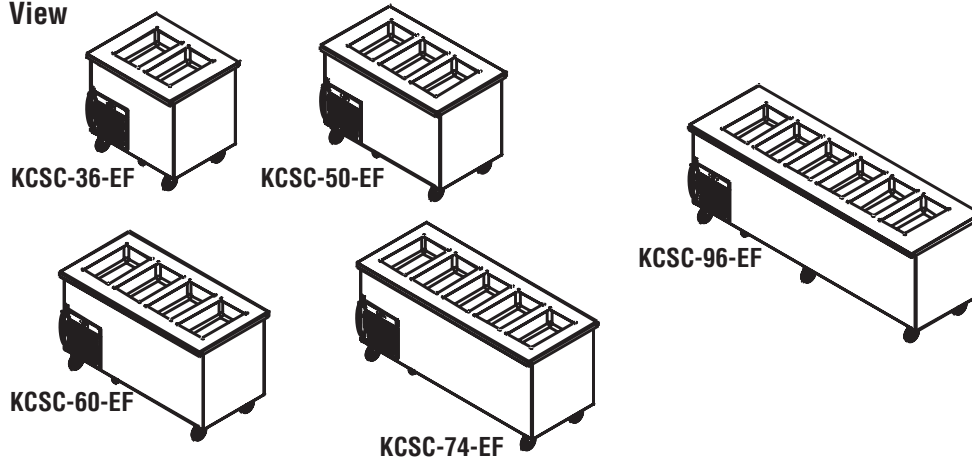
Model KCSC-EF



## Mobile Self-Contained LiquiTec™ Cold Pan Serving Counters



**Isometric View**



### Mechanical Data — Standard Unit

MODEL NUMBER	VOLTAGE/HERTZ/ PHASE	AMP	H.P.	NEMA PLUG	SHIP WEIGHT LBS./KG.	SYSTEM BTU
<b>KCSC-36-EF</b>	115/60/1	8.0	1/4	5-15P	350/159	1102
<b>KCSC-50-EF</b>	115/60/1	8.0	1/4	5-15P	425/193	1240
<b>KCSC-60-EF</b>	115/60/1	8.0	1/4	5-15P	500/227	1343
<b>KCSC-74-EF</b>	115/60/1	8.0	1/4	5-15P	575/261	1423
<b>KCSC-96-EF</b>	115/60/1	8.0	1/4	5-15P	650/295	1487