

Project _____
 Item _____
 Quantity _____
 CSI Section 11400
 Approved _____
 Date _____

Models

- | | | | |
|-----------|--------------------------|------------|--------------------------|
| • TT-1014 | One stack, 11"x15" trays | • TT2-1014 | Two stack, 11"x15" trays |
| • TT-1216 | One stack, 12"x16" trays | • TT2-1216 | Two stack, 12"x16" trays |
| • TT-1221 | One stack, 12"x21" trays | • TT2-1221 | Two stack, 12"x21" trays |
| • TT-1418 | One stack, 14"x18" trays | • TT2-1418 | Two stack, 14"x18" trays |
| • TT-1422 | One stack, 14"x22" trays | • TT2-1422 | Two stack, 14"x22" trays |
| • TT-1622 | One stack, 16"x22" trays | • TT2-1622 | Two stack, 16"x22" trays |
| • TT-1826 | One stack, 18"x26" trays | • TT2-1826 | Two stack, 18"x26" trays |
| • TT-2020 | One stack, 20"x21" trays | • TT2-2020 | Two stack, 20"x21" trays |



TT-1422

Standard Features

- Tubing and base to be 16-gauge stainless steel
- Tubing and base to be integrally welded
- Base to be reinforced with 14-gauge stainless steel angles
- Non-marring gray corner bumpers
- (4) 4.00" diameter polyolefin swivel casters (all locking)
- Dispenser platform carrier shall be 18-gauge stainless steel
- Self-leveling mechanisms shall be adjustable by adding and removing stainless steel extension springs located inside the elevator housing
- Each dispenser section holds approximately 50-60 trays (varies per tray style)
- One year parts and 90 day labor standard warranty. Additional warranties available

Options & Accessories

- Heavy-duty casters
- Flange-mount feet in lieu of casters
- Napkin dispensers
- Six- or eight-hole silverware bins with plastic or stainless steel cylinders
- Wrap-around bumpers (adds 1.75" [4.4cm] to overall length and depth)
- Dust cover

Specifications

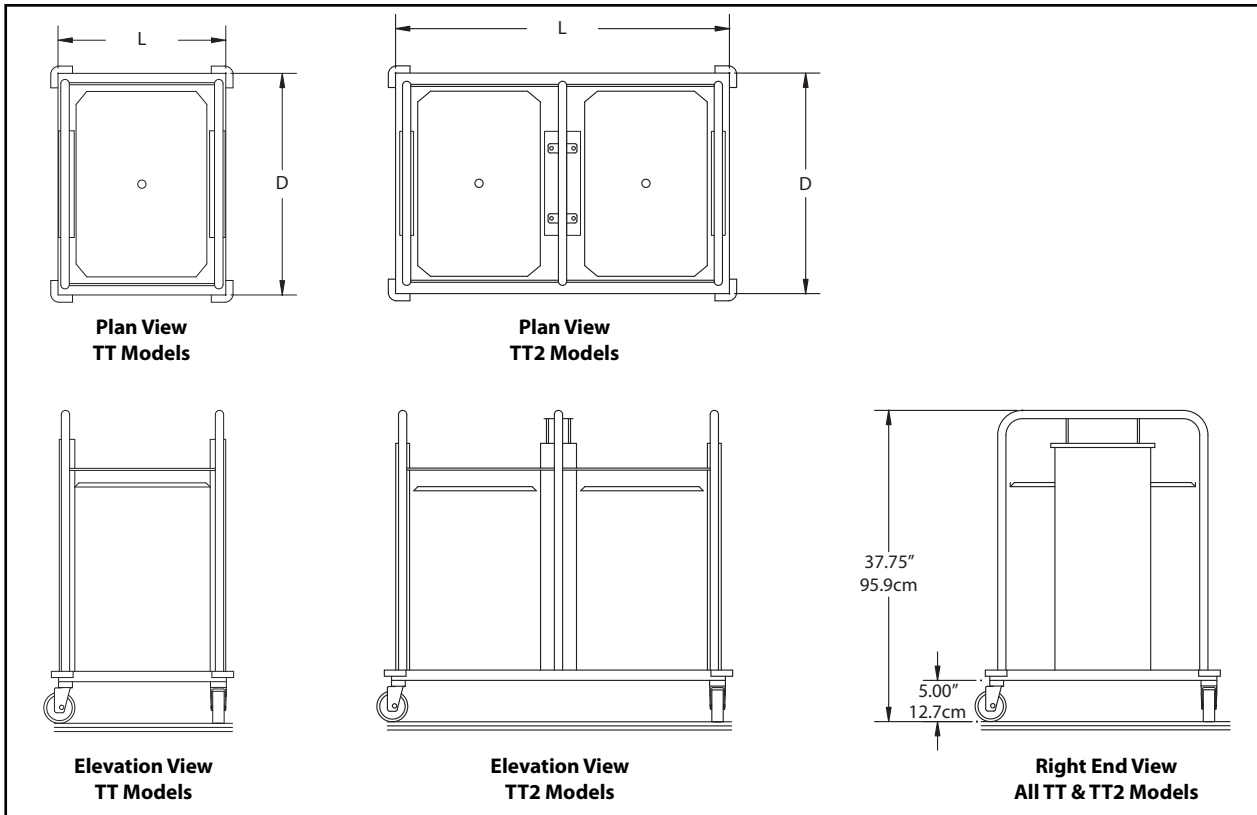
Framework shall be integrally welded 1.00" (2.5cm) O.D. 16-gauge stainless steel tubing welded to a 16-gauge stainless steel base. Frame shall have stainless steel horizontal support rods affixed to the tubing. Base shall be reinforced with full-length 14-gauge stainless steel angles.

Casters: Unit shall have four 4.00" (10.2cm) diameter polyolefin swivel casters (all locking) (5.00" [12.7cm] ride height) and non-marking gray bumpers at each corner.

Dispenser platform carries shall be 18-gauge stainless steel and shall be removable for cleaning. Each dispenser shall have 2 self-leveling mechanisms.

Self-leveling mechanisms shall be field adjustable by adding or removing stainless steel extension springs located inside the elevator housing.





Specifications				
Model	Length	Depth	Maximum Tray Size	Ship Weight
TT-1014	21.25" (54.0cm)	15.25" (38.7cm)	11" x 15" (27.9cm x 38.1cm)	102lbs/46kg
TT-1216	18.25" (46.4cm)	20.75" (52.7cm)	12" x 16" (30.5cm x 40.6cm)	102lbs/46kg
TT-1221	18.25" (46.4cm)	25.75" (65.4cm)	12" x 21" (30.5cm x 53.3cm)	105lbs/48kg
TT-1418	20.25" (51.4cm)	22.75" (57.8cm)	14" x 18" (35.6cm x 45.7cm)	102lbs/46kg
TT-1422	20.25" (51.4cm)	26.75" (67.9cm)	14" x 22" (35.6cm x 55.9cm)	105lbs/48kg
TT-1622	22.25" (56.5cm)	26.75" (67.9cm)	16" x 22" (40.6cm x 55.9cm)	106lbs/48kg
TT-1826	24.25" (61.6cm)	30.75" (78.1cm)	18" x 26" (45.7cm x 66.0cm)	111lbs/50kg
TT-2020	26.25" (66.7cm)	25.75" (65.4cm)	20" x 21" (50.8cm x 53.3cm)	111lbs/50kg
TT2-1014	21.25" (54.0cm)	26.75" (67.9cm)	11" x 15" (27.9cm x 38.1cm)	113lbs/51kg
TT2-1216	36.50" (92.7cm)	20.75" (52.7cm)	12" x 16" (30.5cm x 40.6cm)	165lbs/75kg
TT2-1221	36.50" (92.7cm)	25.75" (65.4cm)	12" x 21" (30.5cm x 53.3cm)	163lbs/74kg
TT2-1418	40.50" (102.9cm)	22.75" (57.8cm)	14" x 18" (35.6cm x 45.7cm)	165lbs/75kg
TT2-1422	40.50" (102.9cm)	26.75" (67.9cm)	14" x 22" (35.6cm x 55.9cm)	163lbs/74kg
TT2-1622	44.50" (113.0cm)	26.75" (67.9cm)	16" x 22" (40.6cm x 55.9cm)	170lbs/77kg
TT2-1826	48.50" (123.2cm)	30.75" (78.1cm)	18" x 26" (45.7cm x 66.0cm)	179lbs/81kg
TT2-2020	52.50" (133.4cm)	25.75" (65.4cm)	20" x 21" (50.8cm x 53.3cm)	179lbs/81kg

NOTES:

- Standard corner bumpers add 1.75" (4.4cm) to overall length and width.
- TT2 models dispense two separate stacks of trays.

Delfield reserves the right to make changes to the design or specifications without prior notice.

TT/TT2 Mobile Open Frame Tray And Rack Dispensers