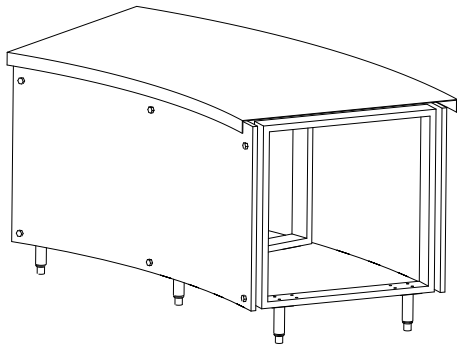


Concepts® Serving Systems

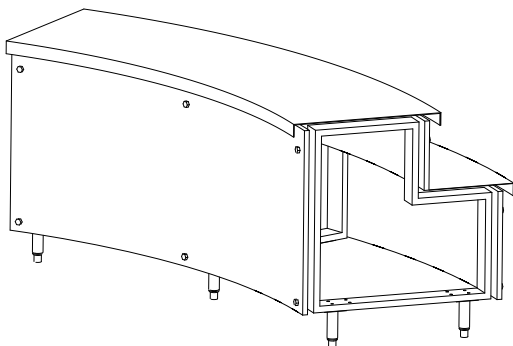
Radial Counters

Models

- DCRU-T25 25° radial counter
- DCRU-T32 32° radial counter
- DCRU-T40 40° radial counter
- DCRUO-TT25 25° radial counter, tiered outside
- DCRUO-TT32 32° radial counter, tiered outside
- DCRUO-TT40 40° radial counter, tiered outside
- DCRUI-TT25 25° radial counter, tiered inside
- DCRUI-TT32 32° radial counter, tiered inside
- DCRUI-TT40 40° radial counter, tiered inside



DCRU-T32



DCRUO-TT40

Standard Features

- Heavy duty stainless steel top
- Reinforced stainless steel front and rear removable panels
- Heavy duty base support structure
- Standard on 6" legs
- 36" work height
- One year parts and labor standard warranty

Options & Accessories

- Granite, Hanstone and Solid Surface top materials
- Laminated base panels
- Finished stainless steel or laminated end panels
- Décor panels
- Graphics packages
- Fixed or adjustable height casters (stand alone units only)
- Kickplates (units with legs only)
- Tray slides
- 34" work height
- 30" work height (not available on tiered units)

Specifications

Exterior body is constructed of 0.75" Luan reinforced front and rear panels with 22 gauge stainless steel skin and 1" polyethylene horizontal rib supports. Horizontal brace on rear is constructed of 18 gauge galvanized steel. The exterior ends are unfinished.

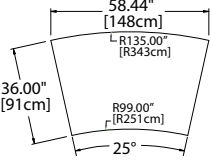
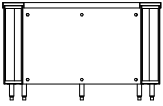
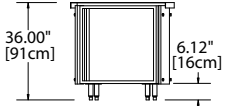
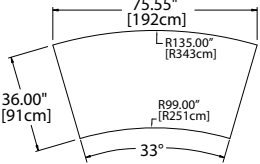
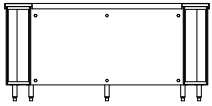
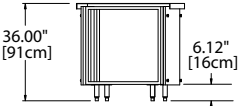
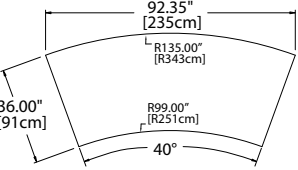
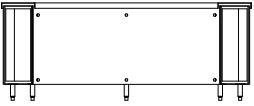
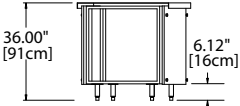
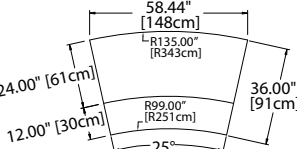
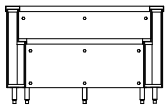
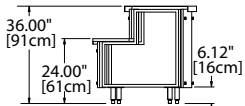
Exterior top is constructed of 14 gauge stainless steel. Horizontal top supports on front and rear are

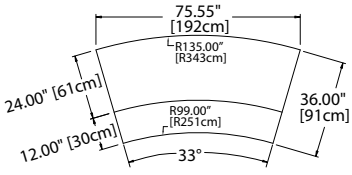
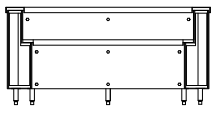
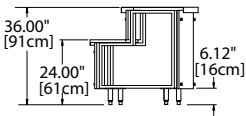
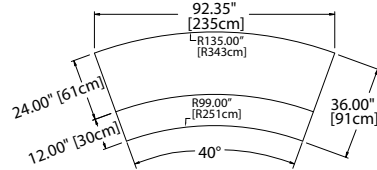
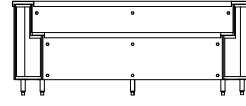
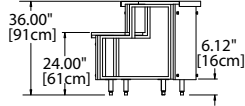
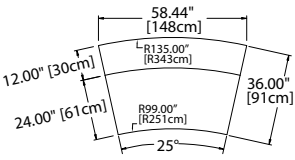
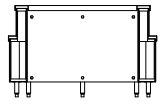
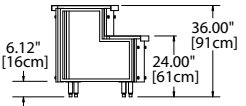
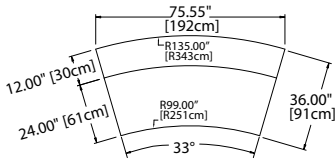
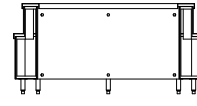
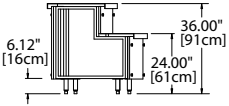
constructed with 18 gauge galvanized steel. Top end supports are 12 gauge stainless steel.

Interior base bottom is constructed of 16 gauge galvanized steel. Vertical base support braces are 14 gauge galvanized steel.

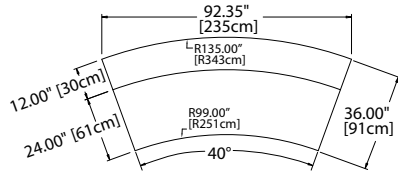
Legs: Bases mounted on 6.12" adjustable legs.



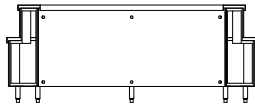
<p style="text-align: center;">DCRU-T25</p> <div style="display: flex; justify-content: space-around; align-items: center;"> <div style="text-align: center;">  <p>58.44" [148cm] L R135.00" [R343cm] 36.00" [91cm] R99.00" [R251cm] 25°</p> </div> <div style="text-align: center;"> <p>DCRU-T25 Plan View</p> </div> </div> <div style="display: flex; justify-content: space-around; align-items: center; margin-top: 20px;"> <div style="text-align: center;">  <p>DCRU-T25 Elevation View</p> </div> <div style="text-align: center;">  <p>36.00" [91cm] 6.12" [16cm]</p> <p>DCRU-T25 Side View</p> </div> </div>	<p style="text-align: center;">DCRU-T32</p> <div style="display: flex; justify-content: space-around; align-items: center;"> <div style="text-align: center;">  <p>75.55" [192cm] L R135.00" [R343cm] 36.00" [91cm] R99.00" [R251cm] 33°</p> </div> <div style="text-align: center;"> <p>DCRU-T32 Plan View</p> </div> </div> <div style="display: flex; justify-content: space-around; align-items: center; margin-top: 20px;"> <div style="text-align: center;">  <p>DCRU-T32 Elevation View</p> </div> <div style="text-align: center;">  <p>36.00" [91cm] 6.12" [16cm]</p> <p>DCRU-T32 Side View</p> </div> </div>
<p style="text-align: center;">DCRU-T40</p> <div style="display: flex; justify-content: space-around; align-items: center;"> <div style="text-align: center;">  <p>92.35" [235cm] L R135.00" [R343cm] 36.00" [91cm] R99.00" [R251cm] 40°</p> </div> <div style="text-align: center;"> <p>DCRU-T40 Plan View</p> </div> </div> <div style="display: flex; justify-content: space-around; align-items: center; margin-top: 20px;"> <div style="text-align: center;">  <p>DCRU-T40 Elevation View</p> </div> <div style="text-align: center;">  <p>36.00" [91cm] 6.12" [16cm]</p> <p>DCRU-T40 Side View</p> </div> </div>	<p style="text-align: center;">DCRUO-TT25</p> <div style="display: flex; justify-content: space-around; align-items: center;"> <div style="text-align: center;">  <p>58.44" [148cm] L R135.00" [R343cm] 24.00" [61cm] 36.00" [91cm] 12.00" [30cm] R99.00" [R251cm] 25°</p> </div> <div style="text-align: center;"> <p>DCRUO-TT25 Plan View</p> </div> </div> <div style="display: flex; justify-content: space-around; align-items: center; margin-top: 20px;"> <div style="text-align: center;">  <p>DCRUO-TT25 Elevation View</p> </div> <div style="text-align: center;">  <p>36.00" [91cm] 24.00" [61cm] 6.12" [16cm]</p> <p>DCRUO-TT25 Side View</p> </div> </div>

<p style="text-align: center;">DCRUI-TT32</p>  <p style="text-align: center;">DCRUO-TT32 Plan View</p>  <p style="text-align: center;">DCRUO-TT32 Elevation View</p>  <p style="text-align: center;">DCRUO-TT32 Side View</p>	<p style="text-align: center;">DCRUI-TT40</p>  <p style="text-align: center;">DCRUO-TT40 Plan View</p>  <p style="text-align: center;">DCRUO-TT40 Elevation View</p>  <p style="text-align: center;">DCRUO-TT40 Side View</p>
<p style="text-align: center;">DCRUO-TT25</p>  <p style="text-align: center;">DCRUI-TT25 Plan View</p>  <p style="text-align: center;">DCRUI-TT25 Elevation View</p>  <p style="text-align: center;">DCRUI-TT25 Side View</p>	<p style="text-align: center;">DCRUO-TT32</p>  <p style="text-align: center;">DCRUI-TT32 Plan View</p>  <p style="text-align: center;">DCRUI-TT32 Elevation View</p>  <p style="text-align: center;">DCRUI-TT32 Side View</p>

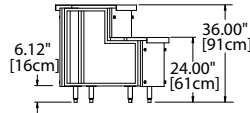
DCRUO-TT40



DCRUI-TT40
Plan View



DCRUI-TT40
Elevation View



DCRUI-TT40
Side View

Concepts® Serving Systems

Concepts® Serving Systems

Specifications				
Model	Length	Depth	Height	Ship Weight
DCRU-T25	58.44"	36.00"	36.00"	270lbs/122kg
DCRU-T32	75.55"	36.00"	36.00"	345lbs/156kg
DCRU-T40	92.35"	36.00"	36.00"	420lbs/191kg
DCRUO-TT25	58.44"	36.00"	36.00"	270lbs/122kg
DCRUO-TT32	75.55"	36.00"	36.00"	345lbs/156kg
DCRUO-TT40	92.35"	36.00"	36.00"	420lbs/191kg
DCRUI-TT25	58.44"	36.00"	36.00"	270lbs/122kg
DCRUI-TT32	75.55"	36.00"	36.00"	345lbs/156kg
DCRUI-TT40	92.35"	36.00"	36.00"	420lbs/191kg

Welbilt reserves the right to make changes to the design or specifications without prior notice.