

Fresh Solutions, Fit for You



FlexiShield™ Food Shields

Flexible, Safe.

FlexiShield™ Food Shields



Delfield's new food shield line is designed to protect without getting in the way. The mostly glass design keeps food safe while enhancing the merchandising effect, allowing your customers to get full view of what's important, the food! We have added even more flexibility with extended lengths that do not require as many support legs to get in your way.

The new FlexiShield™ models give maximum menu and serving flexibility by allowing adjustment to three different glass positions. With several additional double and single tier, double and single service, sneeze guard and full front models also available to meet your needs. All designed to meet the 2014 NSF standard requirements. Take the guess work out of installation with a food shield that ships to you fully assembled.

This food shield pivots into three positions allowing for a full range of serving options.



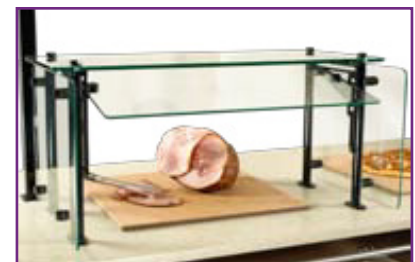
1. FULLY CLOSED

Adjustable shelves offer flexibility of display. The shelves can be moved in 1" increments and tilted into three positions.



2. SEMI-OPEN

This position allows you to serve under the food shield but limits range of access to the customer. This is designed for operator served product.



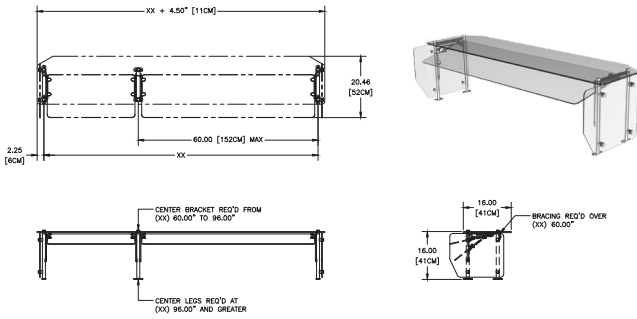
3. OPEN

Great for flexibility of pre-packaged product and self serve options, this food shield allows customer access to the product.

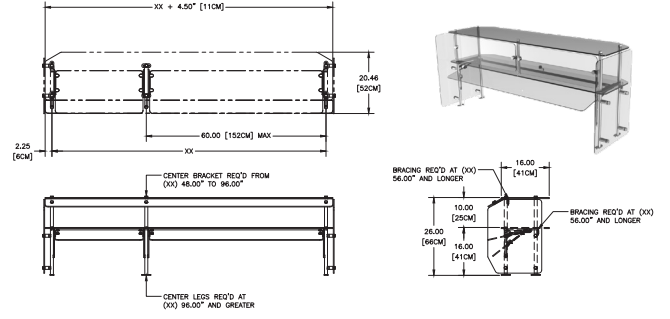
Available food shield options include:

*Black powdercoating, stainless steel shelf,
LED lights, and heat lamps.*

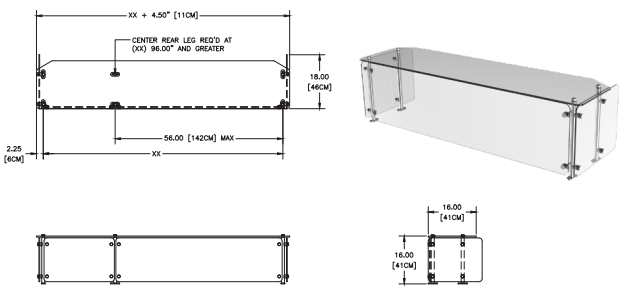
FlexiShield™ Food Shields



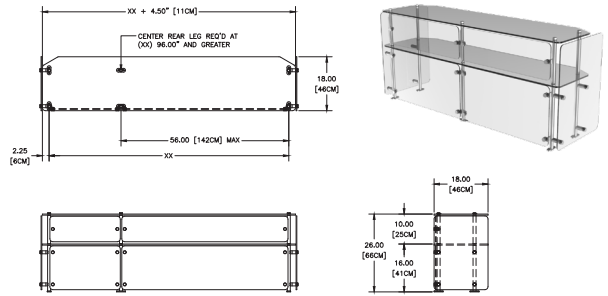
DCFSFS



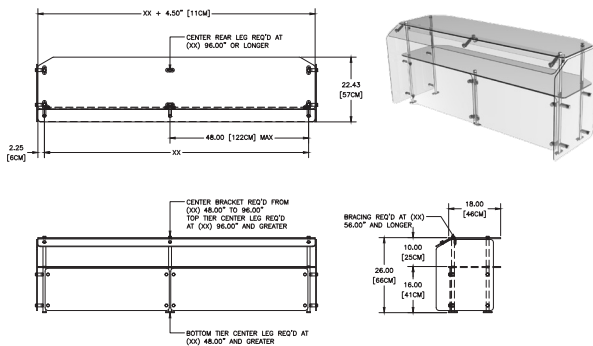
DCFSFS2



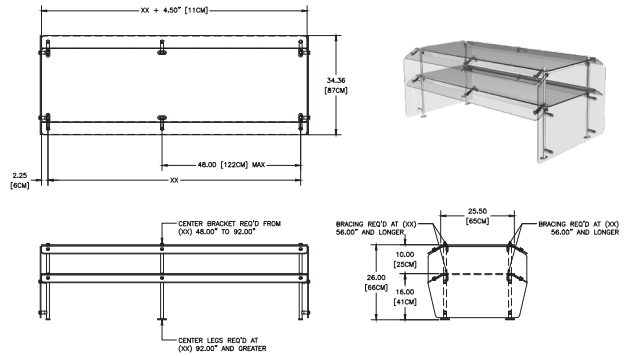
DCFSG



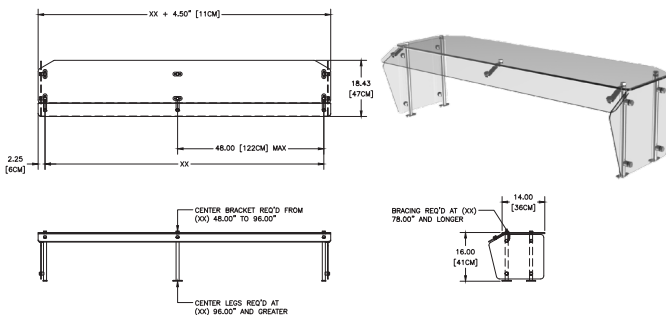
DCFSG2



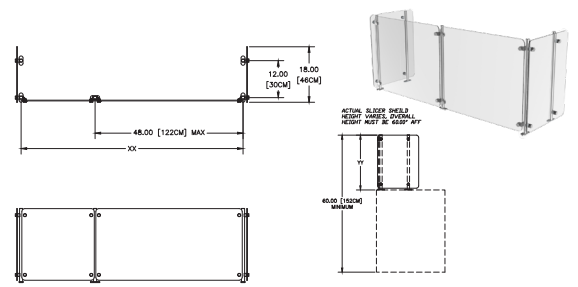
DCFSGH



DCFSHD

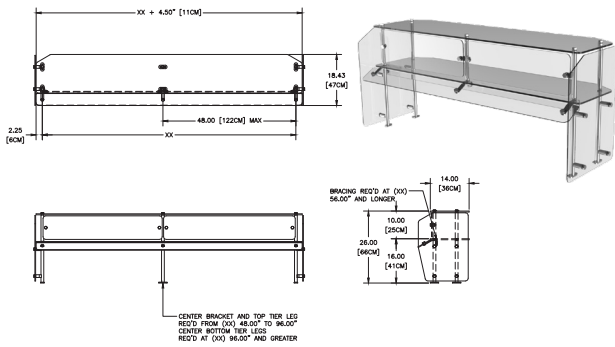


DCFSKS

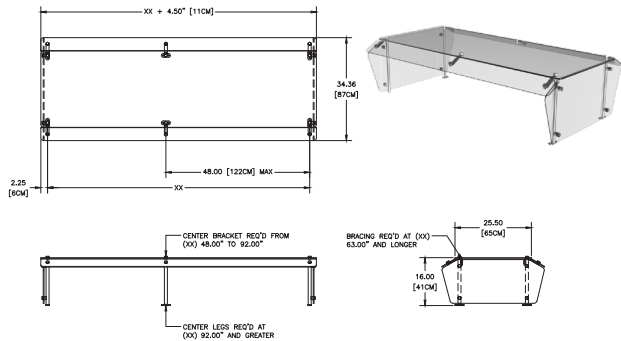


DCFSSS

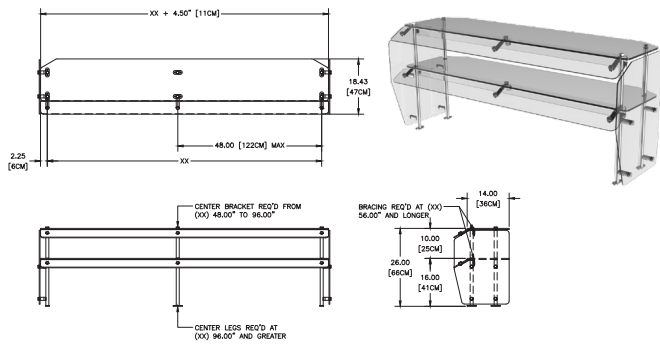
FlexiShield™ Food Shields



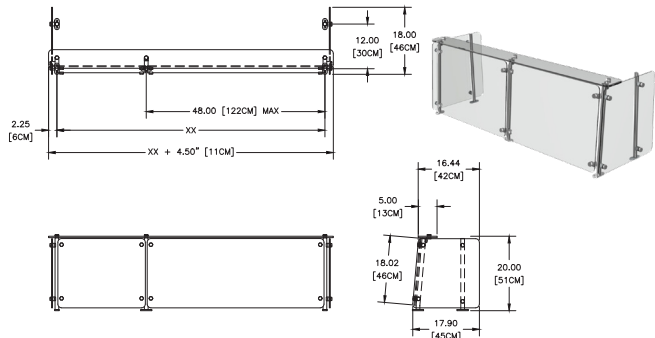
DCFSHG



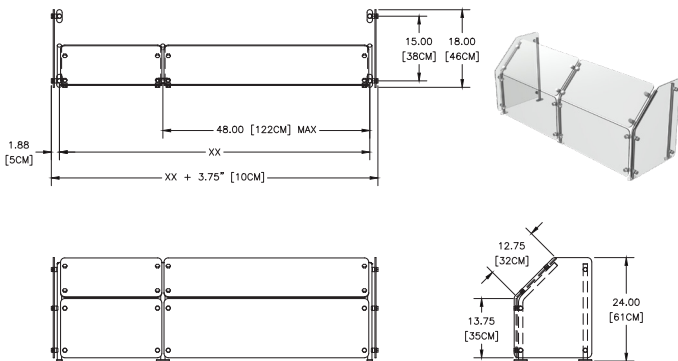
DCFSKD



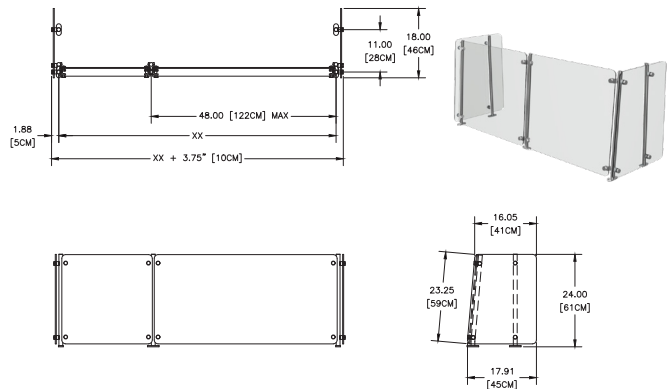
DCFSH



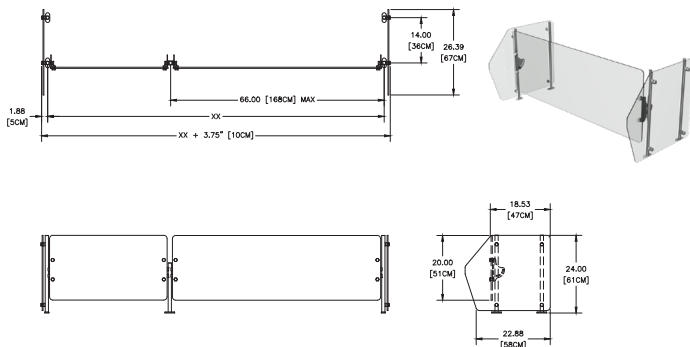
DCFASST



DCFSAF



DCFASS



DCFSRF