



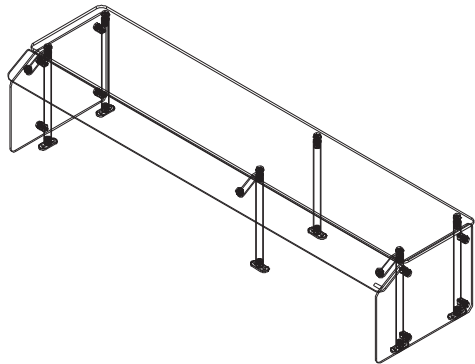
FlexiShield® Food Shields

Single Tier, Fixed Sneeze Guard Front,
Single Service

FlexiShield® Food Shields

Models

- DCFSKS Available in 1" increments up to 120" long



DCFSKS

Standard Features

- Mostly glass display allows you to see product from every angle
- 1" stainless steel legs
- Meets 2011 NSF requirements
- Flange mounted foot makes installation easy
- Comes fully assembled from the factory
- Standard end glass
- One year parts and labor standard warranty

Options & Accessories

- Radiant heat lamp*
- Stainless steel shelf
- Black powder coat
- Fluorescent light*
- LED lights*
- Narrow halogen heatlamp*
- Narrow halogen heatlamp with xenon lights*
- Narrow xenon display lights*

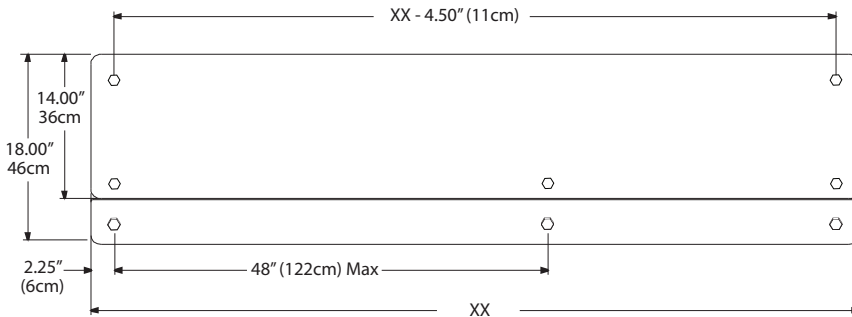
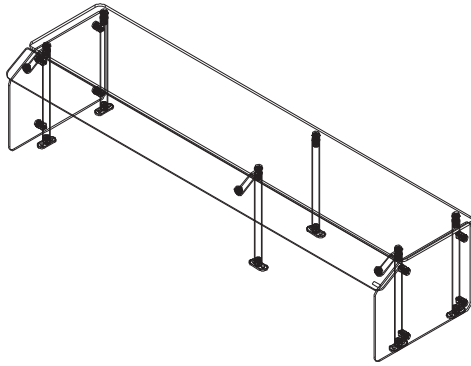
* Inclusion of this option will alter the electrical specifications of the unit

Specifications

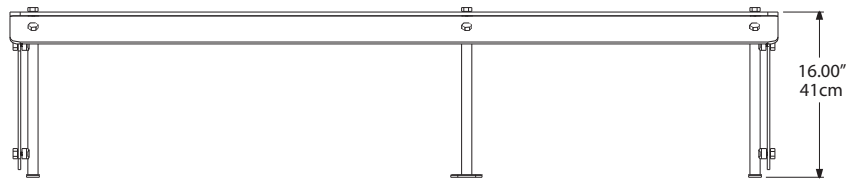
1" stainless steel legs and flanged feet are standard. Models 52.50" (133cm) in length and less will have two sets of legs. Models greater than 52.50" (133cm) in length will have three sets of legs. Top glass is 3/8" tempered. End glass is 1/4" tempered. Front glass is 1/4" tempered. Chrome plated hardware standard.



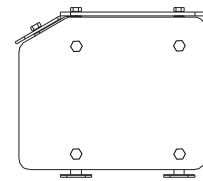
Models 52.50" (133cm) in length and less will have two sets of legs.
 Models greater than 52.50" (133cm) in length will have three sets of legs.



Plan View



Elevation View



Side View

Specifications				
Model	L	W	H	Ship Weight
DCF5KS	XX	18.00" (46cm)	16.00" (41cm)	Contact factory

FlexiShield® Food Shields

Welbilt reserves the right to make changes to the design or specifications without prior notice.